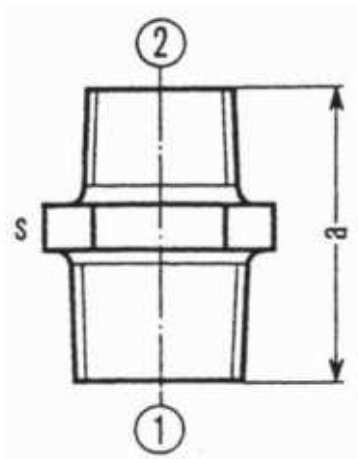


245

Nippli di riduzione M.M.

Nipples reducing M.M.



Ø Diametri 1 x 2	a mm	S chiave / Key mm	Peso / Weight g
1/2 x 3/8	38	22	70
3/4 x 3/8	47	30	106
3/4 x 1/2	47	30	120
1 x 1/2	53	36	176
1 x 3/4	53	36	188
1.1/4 x 1/2	57	46	217
1.1/4 x 3/4	57	46	240
1.1/4 x 1	57	46	253
1.1/2 x 1/2	57	50	296
1.1/2 x 3/4	57	50	238
1.1/2 x 1	57	50	364
1.1/2 x 1.1/4	59	50	352
2 x 1	66	64	477
2 x 1.1/4	68	65	486
2 x 1.1/2	68	65	510
2.1/2 x 1.1/2	75	80	589
2.1/2 x 2	75	80	809
3 x 2	83	95	1193
3 x 2.1/2	83	95	1212
4 x 2	84	123	1886
4 x 3	90	124	1868